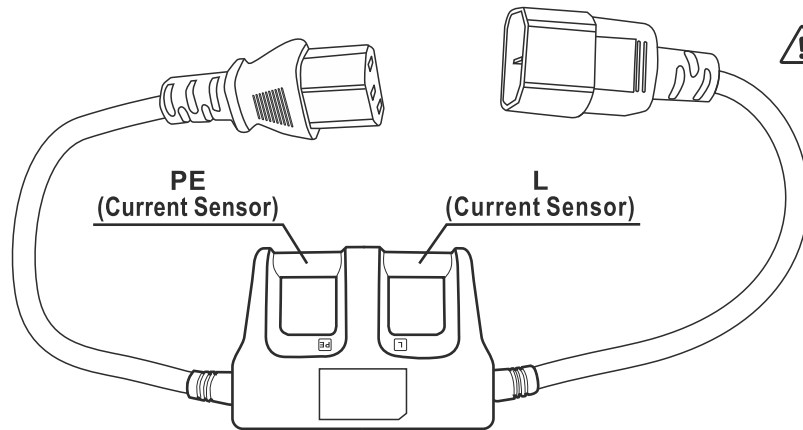


Single Phase Adaptor for Clamp-on Ammeter

MS-818
C1314



Worldwide patent pending

HOW TO USE

STEP 1

Insert the plug of clamp-on ammeter to the power source socket. (fig.1)

STEP 2

Insert the plug of appliance to the socket of clamp-on ammeter. (fig.2)

STEP 3

Place the jaw of ammeter through the hole of clamp-on ammeter to measure the phase or earth current as shown in figure 3 .

TECHNICAL SPECIFICATIONS

- Operating voltage CAT III 250V max.
- Rated current 10A.
- Altitude up to 2000m
- Use in series when measuring current.
- Do not use in presence of moisture (e.g. dew or rain).
- Operation temperature 5-40°C
- Relative humidity 15%-80%
- MAINS supply voltage fluctuations $\pm 10\%$
- Pollution degree 2
- Product dimension (LxWxD) mm : 1850 x 90 x 45
- Product weight (approx) g : 372

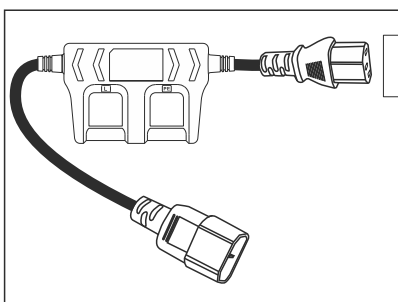


fig.1

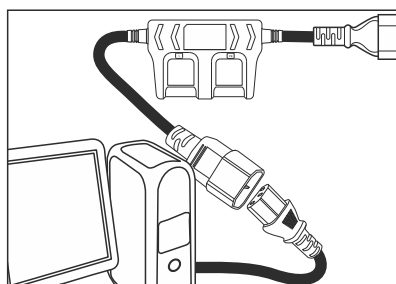


fig.2

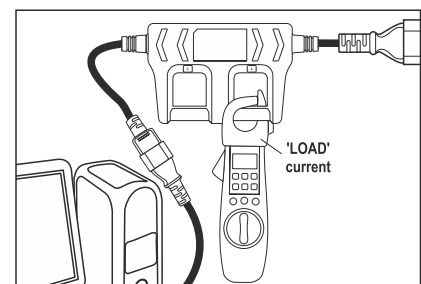


fig.3

SYMBOLS AND INFORMATION

= Read the manual

= Used electronic devices is forbidden to dispose of it in the household waste. Dispose of it in accordance with the current statutory regulations at the communal collection points.

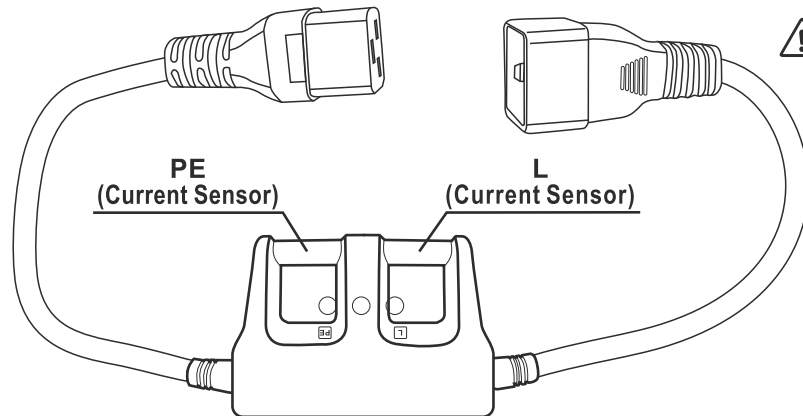
= This product has been CE-tested and meets the necessary European guidelines.

CAT III is applicable to test and measuring circuits connected to the distribution part of the building's low-voltage MAINS installation.

If the equipment is used in a manner not specified by the manufacturer, the protection provided by the equipment may be impaired.

Single Phase Adaptor for Clamp-on Ammeter

MS-818
C1920



Worldwide patent pending

HOW TO USE

STEP 1

Insert the plug of clamp-on ammeter to the power source socket. (fig.1)

STEP 2

Insert the plug of appliance to the socket of clamp-on ammeter. (fig.2)

STEP 3

Place the jaw of ammeter through the hole of clamp-on ammeter to measure the phase or earth current as shown in figure 3

TECHNICAL SPECIFICATIONS

- Operating voltage CAT III 250V max.
- Rated current 16A.
- Altitude up to 2000m
- Use in series when measuring current.
- Do not use in presence of moisture (e.g. dew or rain).
- Operation temperature 5-40°C
- Relative humidity 15%-80%
- MAINS supply voltage fluctuations $\pm 10\%$
- Pollution degree 2
- Product dimension (LxWxD) mm : 1850 x 90 x 45
- Product weight (approx) g : 406

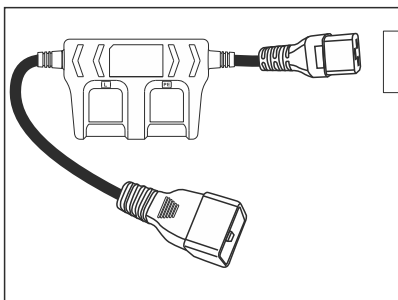


fig.1

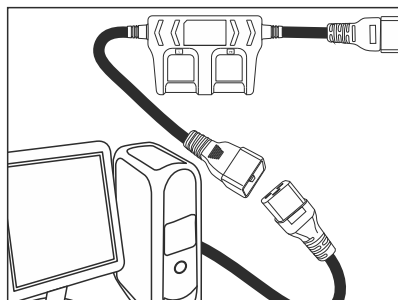


fig.2

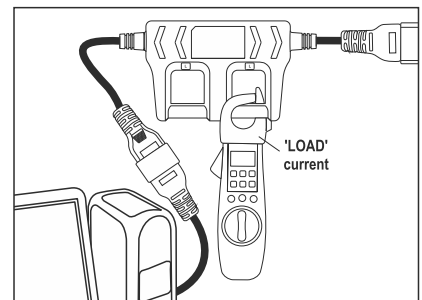


fig.3

SYMBOLS AND INFORMATION

= Read the manual

= Used electronic devices is forbidden to dispose of it in the household waste. Dispose of it in accordance with the current statutory regulations at the communal collection points.

= This product has been CE-tested and meets the necessary European guidelines.

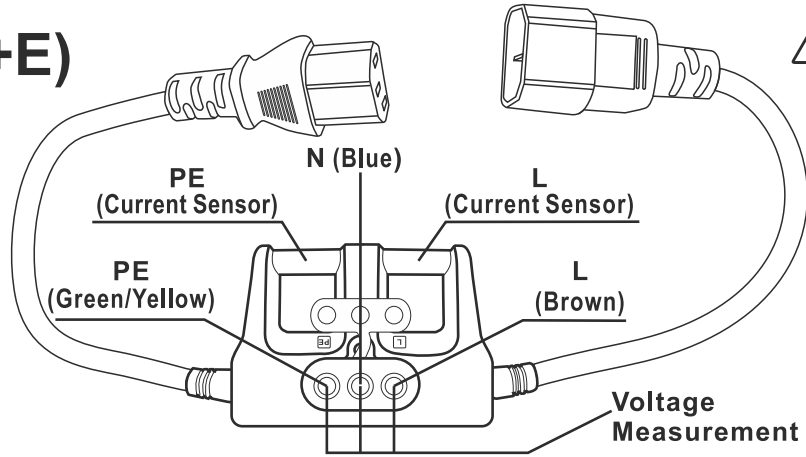
CAT III is applicable to test and measuring circuits connected to the distribution part of the building's low-voltage MAINS installation.

If the equipment is used in a manner not specified by the manufacturer, the protection provided by the equipment may be impaired.

Single Phase Adaptor for Clamp-on Ammeter and Voltage measurement

MS-818A
C1314

(2P+E)



Worldwide patent pending

HOW TO USE

STEP 1

Insert the plug of clamp-on ammeter to the power source socket. (fig.1)

STEP 2

Insert the plug of appliance to the socket of clamp-on ammeter. (fig.2)

STEP 3

Place the jaw of ammeter through the hole of clamp-on ammeter to measure the phase or earth current. Alternatively, place the two test probe of DMM to measure AC voltage as shown in figure 3

TECHNICAL SPECIFICATIONS

- Operating voltage CAT III 250V max.
- Rated current 10A.
- Altitude up to 2000m
- Use in series when measuring current.
- Do not use in presence of moisture (e.g. dew or rain).
- Operation temperature 5-40°C
- Relative humidity 15%-80%
- MAINS supply voltage fluctuations $\pm 10\%$
- Pollution degree 2
- Product dimension (LxWxD) mm : 1850 x 90 x 45
- Product weight (approx) g : 380

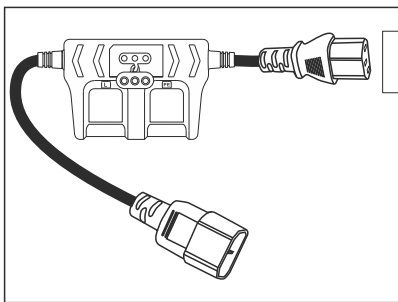


fig.1

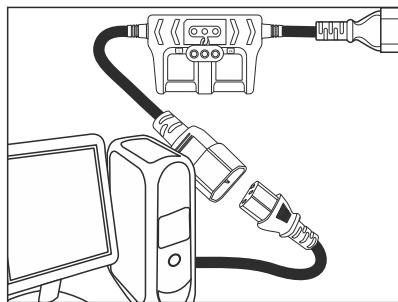


fig.2

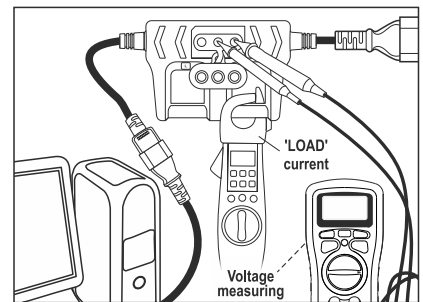


fig.3

SYMBOLS AND INFORMATION

= Read the manual

= Used electronic devices is forbidden to dispose of it in the household waste. Dispose of it in accordance with the current statutory regulations at the communal collection points.

= This product has been CE-tested and meets the necessary European guidelines.

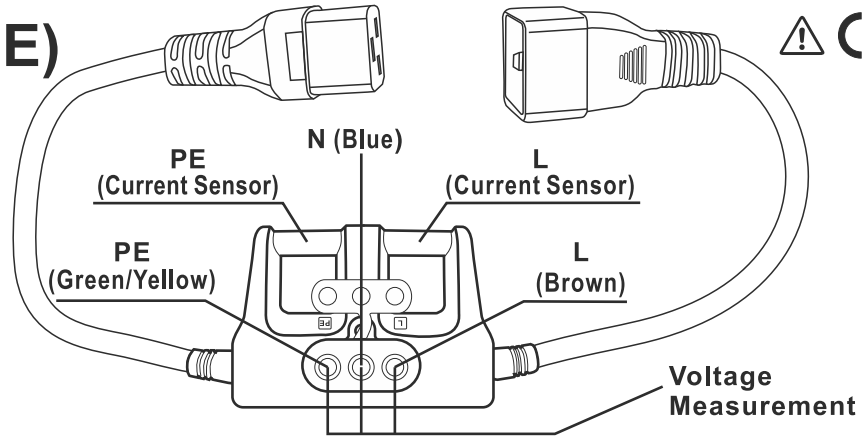
CAT III is applicable to test and measuring circuits connected to the distribution part of the building's low-voltage MAINS installation.

If the equipment is used in a manner not specified by the manufacturer, the protection provided by the equipment may be impaired.

Single Phase Adaptor for Clamp-on Ammeter and Voltage measurement

MS-818A
C1920

(2P+E)



Worldwide patent pending

HOW TO USE

STEP 1

Insert the plug of clamp-on ammeter to the power source socket. (fig.1)

STEP 2

Insert the plug of appliance to the socket of clamp-on ammeter. (fig.2)

STEP 3

Place the jaw of ammeter through the hole of clamp-on ammeter to measure the phase or earth current. Alternatively, place the two test probe of DMM to measure AC voltage as shown in figure 3

TECHNICAL SPECIFICATIONS

- Operating voltage CAT III 250V max.
- Rated current 16A.
- Altitude up to 2000m
- Use in series when measuring current.
- Do not use in presence of moisture (e.g. dew or rain).
- Operation temperature 5-40°C
- Relative humidity 15%-80%
- MAINS supply voltage fluctuations $\pm 10\%$
- Pollution degree 2
- Product dimension (LxWxD) mm : 1850 x 90 x 45
- Product weight (approx) g : 412

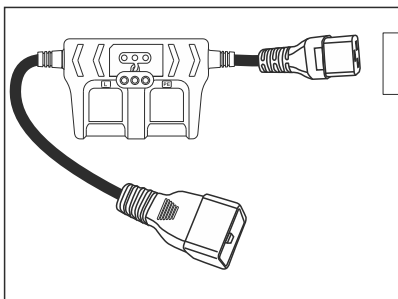


fig.1

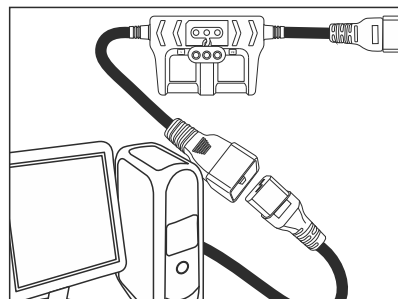


fig.2

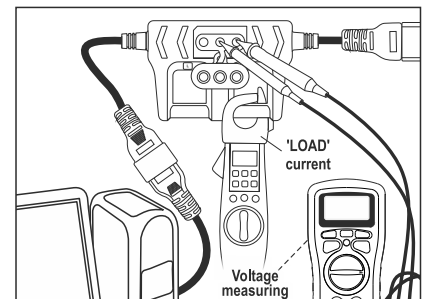


fig.3

SYMBOLS AND INFORMATION

= Read the manual

= Used electronic devices is forbidden to dispose of it in the household waste. Dispose of it in accordance with the current statutory regulations at the communal collection points.

= This product has been CE-tested and meets the necessary European guidelines.

CAT III is applicable to test and measuring circuits connected to the distribution part of the building's low-voltage MAINS installation.

If the equipment is used in a manner not specified by the manufacturer, the protection provided by the equipment may be impaired.