

360° Dual Camera Endoscope With Display

Model No.:

(Front + Side)

- MS-ES3 / MS-AE0S2 (2 m soft gooseneck)
- MS-ES3 / MS-AE0S5 (5 m soft gooseneck)
- MS-ES3 / MS-AE0H1 (1 m hard gooseneck)
- MS-ES3 / MS-AE0H3 (3 m hard gooseneck)
- MS-ES3 / MS-AE0H5 (5 m hard gooseneck)
- MS-ES3 / MS-AE0Hi1 (1 m insulated hard gooseneck)

Thank you for purchasing MEET 360° Dual Camera Endoscope

1. Contents

- Full color LCD screen
- Camera i.e. **MS-AE0XXX** (according to purchased camera type)
- Micro USB2.0 Type-B Charging cable, hook, magnet, side mirror (Exclude hook, magnet, side mirror for **MS-AE0Hi1**)
- EVA case
- Manual



— 1 —

2. Specifications

Monitor display model no.:	MS-ES3
Capture photo / Video recording	*
Display / Resolution	4.3 inch HD 1920 x1080P full color LCD
Three types of view camera selectable	Side / Front / Side + Front
Storage: Max. 128GB TF Card	Best performance for 32GB TF memory card with class10 or higher FAT32 format (Auto format into FAT32if not formatted)
Video format	AVI
Image format	JPG
Language	11 Languages
Micro USB2.0 Type-B charging port	*
Battery Powered / Duration	Rechargeable battery / approx. 3 hours
Dimensions (LxWxH) mm (approx.)	175 x 120 x 30
Weight (approx.) grams	250

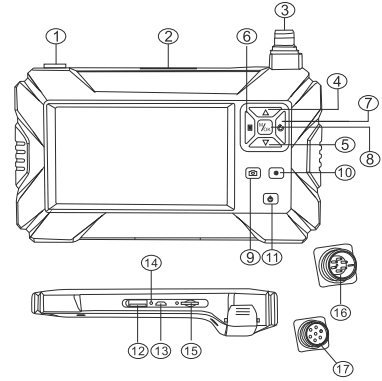
— 2 —

Camera model no.:	MS-AE0S2	MS-AE0H1	MS-AE0Hi1
	MS-AE0S5	MS-AE0H3	MS-AE0H5
Front / Side camera	Ø8.0MM, resolution 1920x1080P, horizontal view70°		
Focal distance (Front / Side camera)	5 - 500 CM / 3 - 500 CM		
360° rotatable side camera		*	
8 pcs LEDs with brightness adjustable		*	
CAT III 600V silicone insulated protection			*
Gooseneck category	Soft	Hard	Hard
Gooseneck Length (M)	2	1	1
	5	3	5
IP 67	*		
Tube diameter (mm)	9.5		15
Weight (grams) (approx.)	90	150	190
	195	410	670

— 3 —

3. Descriptions

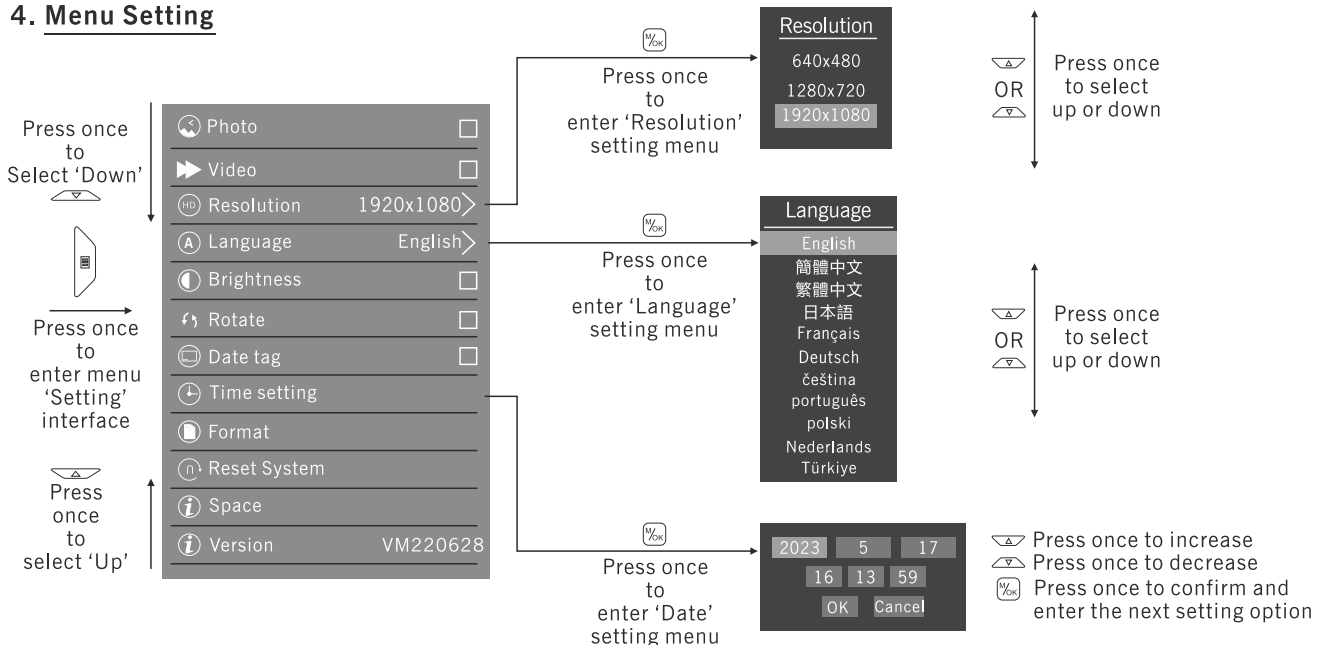
- ① Flash light ON / OFF button, Press once to power ON / OFF flash light
- ② Flash light
- ③ Camera female connector
- ④ UP / Camera rotation control button
a) Select 'up' button in menu
b) Image rotation button in image viewing mode
- ⑤ Down / Camera rotation control button
a) Select 'down' button in menu
b) Image rotation button in image viewing mode
- ⑥ Menu setting button
Press once to enter menu setting interface
- ⑦ Return button
Press once to return to the previous menu
- ⑧ Toggle / Confirmation button
a) Confirmation button in menu interface
b) Mode toggle button in image interface
- ⑨ Toggle button, capture picture / video recording
a) Press once to capture picture
b) Press and hold for 3 secs. to video recording mode then press once to stop



- ⑩ Auxiliary light control button for camera
- ⑪ Power button, press and hold for 3 secs. to power ON / OFF
- ⑫ USB type 'A' 5V DC output
- ⑬ USB type 'B', DC 5V/1A for charging
- ⑭ Charging indication LED, ON when charging, OFF when fully charged
- ⑮ TF card slot
- ⑯ Camera male connector
- ⑰ Camera female connector

— 4 —

4. Menu Setting



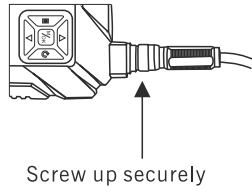
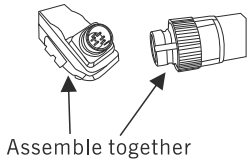
— 5 —

— 6 —

5. Installation

a) Install between monitor display and camera

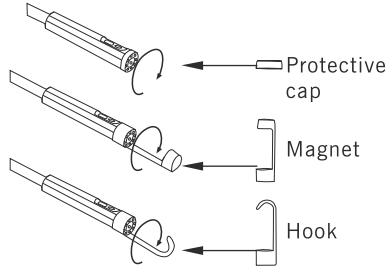
Ensure the camera male connector's convex align with the female connector's groove, then insert it together and be sure to screw up securely.



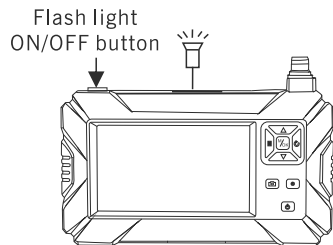
b) Install accessories

Hook; side mirror and magnet should be screwed clockwise.

Note:
These accessories do not support for model MS-AE0Hi1



— 7 —



d) Press once to take a picture / video toggle button '📷' ⑨ to take picture. Press and hold to start video then press once to stop video.

— 9 —

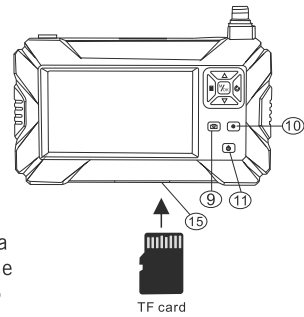
8. Trouble Shooting

Problems	Solution
The device can't turn ON	1. Is the battery depleted? 2. Healthy 5VDC supply connected?
TF card not reading	1. Is the TF card format correct? (only support FAT32 format TF card) 2. Insert the card again
Device suspended	Press and hold for 3 secs. the power button ⑪ to restart the device again
The battery can't be charged	1. Ensure good connection between the cable and type 'B' input port 2. Healthy 5VDC /1A power connected?

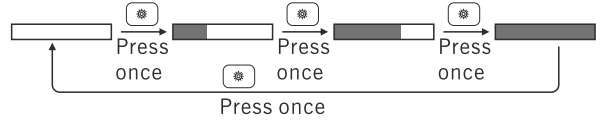
— 11 —

6. How to use

a) If necessary, insert Micro TF card into the slot ⑮.
(Note: Must insert TF card with class10 or higher to store pictures and videos).



b) Press and hold the power button ⑪ '🔘' to power ON the device, camera LED lights up, if necessary press once the auxiliary light button ⑩ '📷' to adjust brightness.



c) Under dark environment, press once the button '🔘' ① to lights up the flash light.

— 8 —

7. Power supply

Dual power source / supply, charging battery can be used to supply or connect with power source

a) When the battery voltage is low, use DC 5V adaptor to charge through type 'B' USB port, LED is ON during charging. LED goes OFF after fully charged

b) For continuous operation you may use DC 5V adaptor

c) Type 'A' USB ⑫ supply an output of 5V DC for external usage.

— 10 —